



# CONTROLLER RGB

CE RoHS compliant



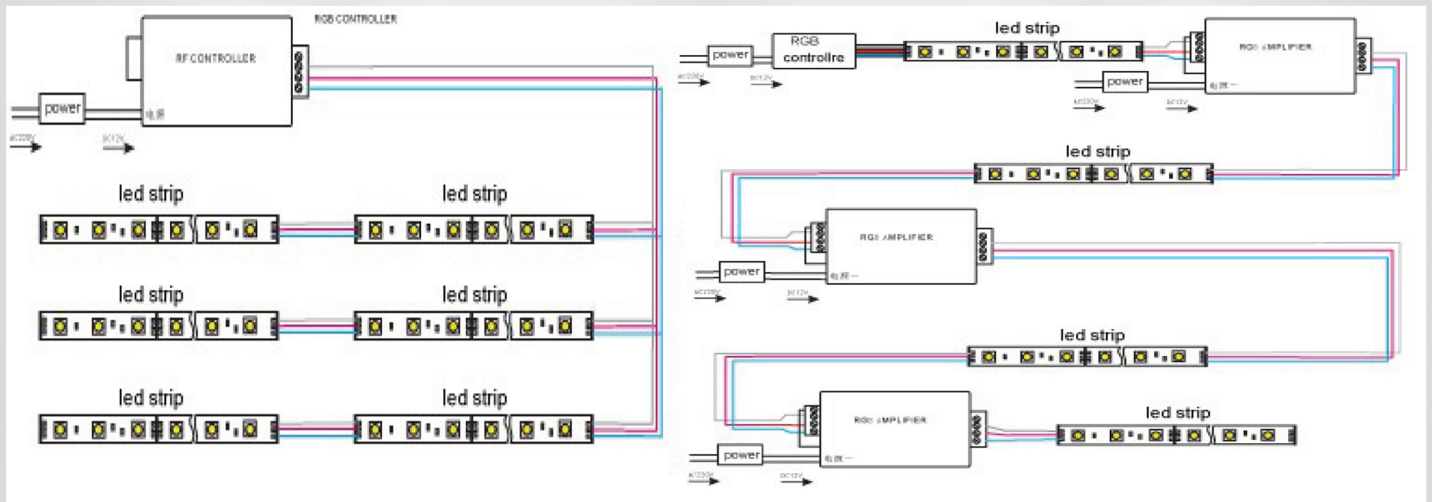
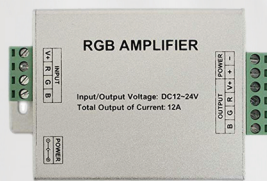
TCXXXXXX



RF



RTXXXXXX



MODEL No.	POWER	OUTPUT	FREQUENCY	REMOTE PW	IP
RF24A3C/015	12-24VDC	24A	433MHZ	CR2025	IP 20
RTN18A3C/017	12-24VDC	18A	433MHZ	+AAx3	IP 20
RTB18A3C/016	12-24VDC	18A	433MHZ	+AAx3	IP 20
TCBIWM4C/013	12-24VDC	4A/CH	/	/	IP 20
TCNEWM4C/014	12-24VDC	4A/CH	/	/	IP 20
ESPRGB/63	12-24VDC	4A/CH	/	/	IP 20